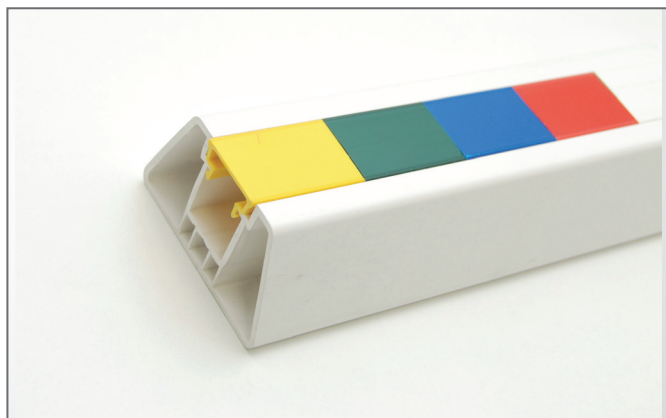


HD Bumper - EX8182

T.1.00



PRODUCT INFORMATION

Product Range:

Castel COOL

Product Group:

Heavy Duty Bump Rail

Ref	Description
0611.00001.OXX	EX8182 Heavy Duty Bumper profile L=4m

APPLICATION

Protection for sandwich panels.

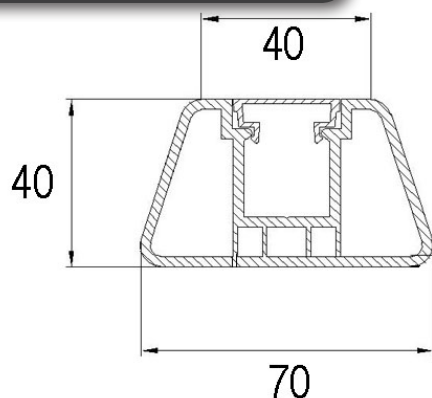
STANDARD COLORS

Base: 9002 and 9010N

Stripe: 9002, 9010N, Blue (5010), green (6018), red (3020) and yellow (1021)

Available on request: 9006

TECHNICAL DRAWINGS



all dimensions are in mm

MATERIAL

Foodsafe rigid PVC

ADVISED WORKING TEMPERATURES

Temperature range: between -30°C and +60°C in a static position

ORDERING INFORMATION

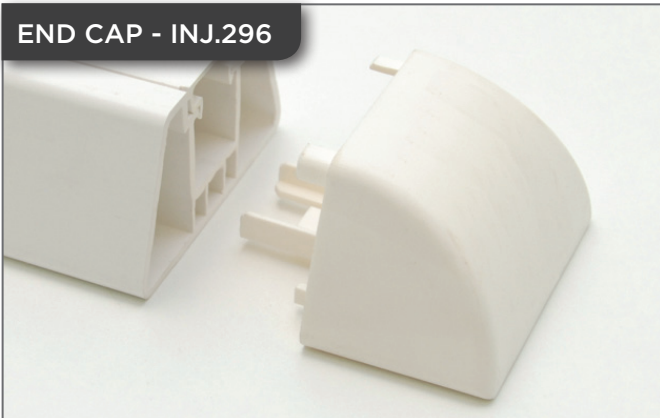
Ref	Commercial Ref.	Color	Box Packing	Palet
0611.00001.OXX	EX8182	-	40 lm (415x25x17cm)	640 lm (420x110x85cm)

other configurations: contact us

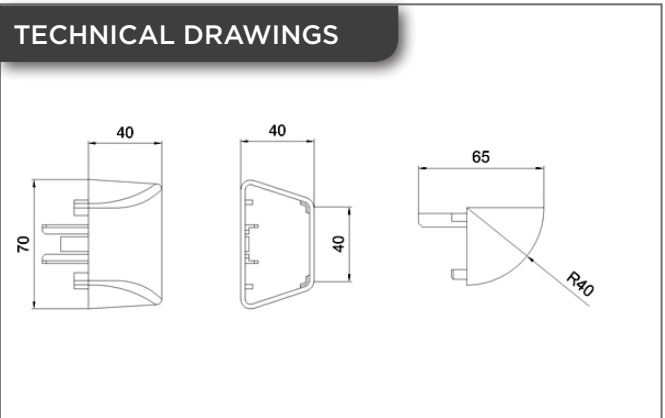
HD Bumper - EX8182

T.1.00

END CAP - INJ.296



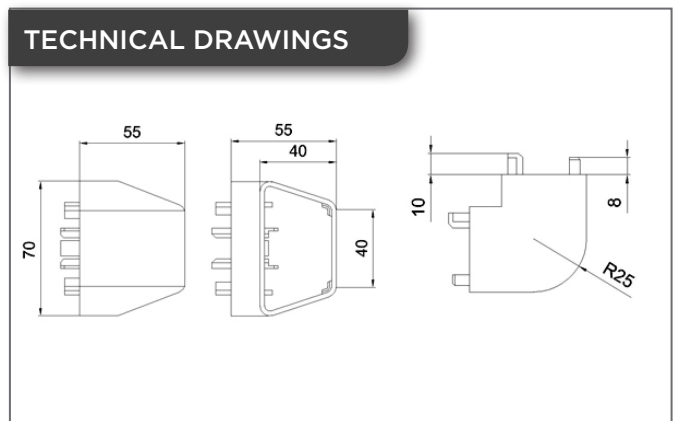
TECHNICAL DRAWINGS



EXTERNAL CORNER - INJ.334



TECHNICAL DRAWINGS



ORDERING INFORMATION

Ref	Commercial Ref.	Color	Min. Packing	Box Packing
0611.00002.0XX	INJ.296	-	4 pcs	400 pcs (80x40x33cm)
0611.00003.0XX	INJ.334	-	4 pcs	400 pcs (80x40x33 cm)

other configurations: contact us

STORAGE

Product is required to be stored in its original packaging, in a dry location sheltered from the weather conditions. Advised storage temperature range: +10°C and +50°C

MOUNTING

Product must be handled and installed only by a professional. Admissible temperature range for installation: between +10°C and +50°C

ANNEXES

Resistance tests carried out in positive temperatures, without retaining parameters of velocity nor the shape of the impact device.

See enclosure Servaco Labs' report ref. R.064458 DD 13-OCT-2006 (3 pages)

DISCLAIMER

Castel Engineering, Rue de la Royenne 84, B-7700 Mouscron, Tel +32 (0) 56 33 68 40 - Fax. +32 (0) 56 33 78 10
Copyright © 2015 Castel Engineering - All rights reserved.

Castel Engineering and its Affiliates' liability terminates when the original packaging in which the product is contained, has been opened or damaged. Castel Engineering and its Affiliates' warranty is exclusively limited to providing a product of quality conform to their technical specifications.

Those who in any way utilize the product(s) are solely responsible for determining (a) the suitability of the product for the intended use, (b) the appropriate manner of processing and maintaining the product to ensure safety and quality and (c) chemical, physical and health effects related to those activities, (d) to inform themselves in order to be able to decide if specific tests are necessary for their intended use* in respect to norms and regulations in application at the location of their intended use*.

The product should be installed with respect to possible climatic and seismic conditions when in use and during the installation and in conformity to the installation instructions and recommendations of the manuals of the air conditioning device.

The qualified installer is supposed to have professional knowledge

Appropriate tools and materials for installation and for maintenance must be selected and used according to the professional know-how, in respect with the nature of our products and in compliance with all procedures and regulations in application at the location of installation.

All above parameters, factors, operations, regulations, compliances and procedures are totally beyond Castel Engineering sa and its Affiliates' control.

By selling this product Castel Engineering sa and its Affiliates acts in a simple sale - purchase transaction.

Castel Engineering and its Affiliates disclaim any and all responsibility and liability for the use of any such data, information and/or the relevant product.

All dimensions in this document are in mm unless otherwise specified. (Tolerances apply)

* See application



Servaco n.v.
Tramstraat 2
8560 Wevelgem
Tel. 056 43 27 30
Fax 056 40 41 85
e-mail: info@servaco.be

Pullaar 207
2670 Puurs
Tel. 03 860 04 90
Fax 03 860 04 99

BEPROEVINGSRAPPORT

Rapportnummer : R.064458
Datum rapport : 13-10-2006

Castel Engineering S A
Rue De La Royenne 84
7700 Mouscron

Datum ontvangst : 10-10-2006
Omschrijving : Test on BUMP HD EX8182
Uw referentie :

Concerns compression test on BUMP HD EX 812

Testing method: the profile is compressed in the middle of the length, the load is brought on the bump by a metal piece (50 x 23 x 12 mm) in two different ways :

1. piece lying (testing surface 50 x 23 mm) on the nrs. 1 – 2 - 3
2. piece standing (testing surface 50 x 12 mm) on the nrs. 4 – 5 - 6

The maximum load is determined.

Results:

	max. load (N)
Lying	1. 9700
	2. 9600
	3. 9800
Standing	4. 7800
	5. 8000
	6. 8100

The data in this document correspond to the results noticed in lab conditions without safety factor.

Compliance with local regulations, safety factors, wall structures and adequate choice of models are totally beyond our control. It's the sole responsibility of the installer to use appropriate material according to the professional know-how, in respect with all regulations in application at the location of installation

Those who in any way utilize the product(s) are solely responsible for determining (a) the suitability of the product for the intended use, (b) the appropriate manner of processing the product to ensure safety and quality and (c) chemical, physical and health effects related to those activities. Castel Engineering sa and its Affiliates disclaim any and all responsibility and liability for the use of any such data, information and/or the relevant product.

During the 6 tests there is a maximum load reached, after which the profile strongly deforms locally nearby the loading point.

L. Verdonckt
Section head

Dr. N.E. Van Landuyt
General Manager

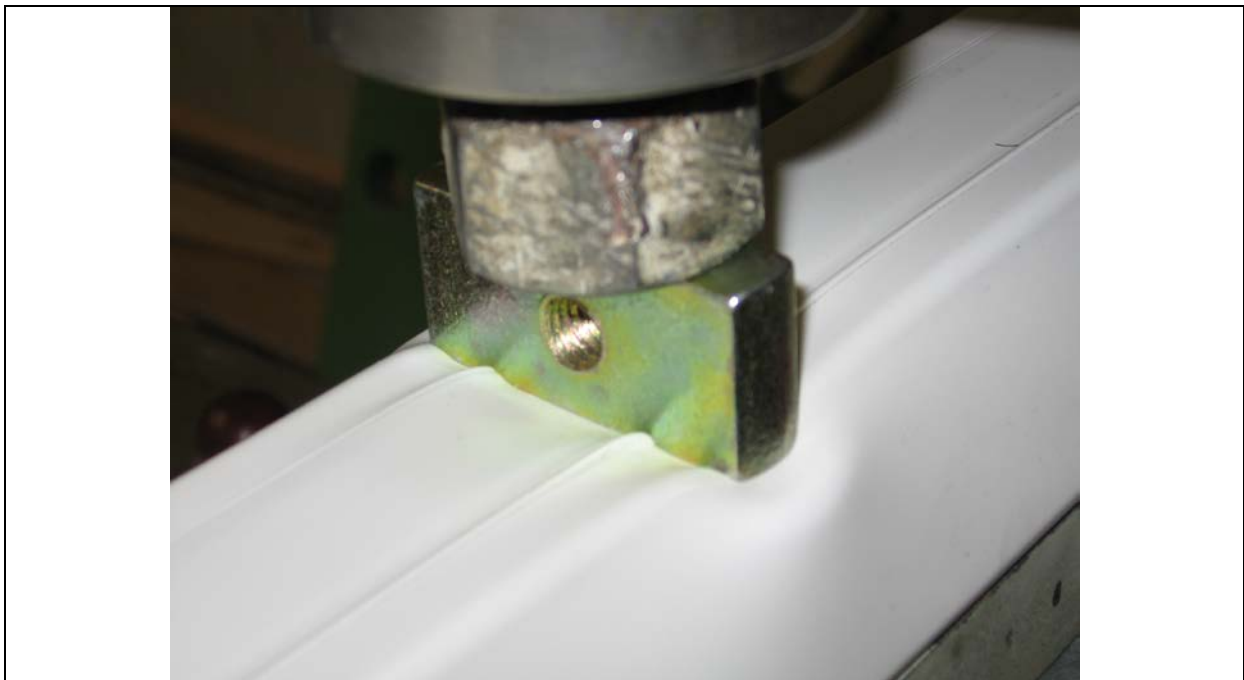
The data in this document correspond to the results notices in lab conditions without safety factor.

Pictures of Test Method:

- 1) Piece lying



- 2) Piece standing



The data in this document correspond to the results notices in lab conditions without safety factor.

Pictures of results:

1) Results of tests 1, 2 and 3



2) Results of tests 4, 5 and 6



The data in this document correspond to the results notices in lab conditions without safety factor.