

**Technical Data Sheet – Screw with steel insert INJ.235– Pre-Release v.1.01**

**PRODUCT FEATURES**



Product range: **Castel Cool & Hardware**  
Product Category: **Panel & Frame Fixations**  
Group of products: **Screws and washers**

Article ref.: **4010.302Ax.M10 \***

Commercial ref.: **INJ.235 (M10)**

Description: **Plastic screw reinforced with a steel insert M10**

\* x = a generic letter

**APPLICATION**

Screw for insulated panel and door frame fixation.  
Compatible with the product « washer » INJ.24 ( 4010.350Ax.018)

**MATERIAL**

POM (acetal polyoxymethylene) and Galvanised Steel (insert)

**COLOURS**

Standard Colours RAL 9002, 9010  
On request : RAL 9006

**MATERIAL RANGE OF ALLOWED TEMPERATURES**

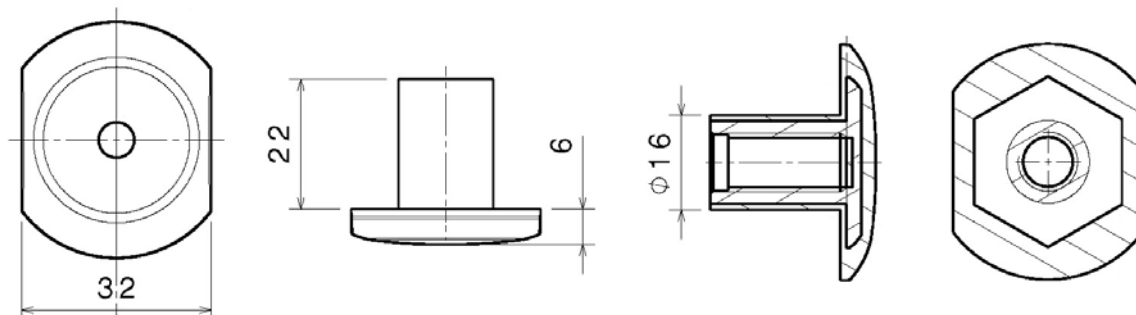
Between -50°C and +90°C

Our products made from POM have not been tested at extreme temperatures.

## TECHNICAL DRAWINGS

---

All sizes are expressed in mm.



---

### Packing and Order information

Article code	Commercial ref.	Colour	packing
4010.302A3.M10	Fastening screw steel insert M10	9002	500 pcs
4010.302A7.M10	Fastening screw steel insert M10	9006	500 pcs
4010.302A8.M10	Fastening screw steel insert M10	9010	500 pcs

Other colours : can be available on request

**MATERIAL PROPERTIES (extract from our suppliers technical data sheet) :**

**POM (acetal polyoxymethylene) : Behaviour reaction for information only :**

Chemical	Behaviour	Chemical	Behaviour
Acetic acid (5%)	resistant	Hydrogen peroxide (1%)	resistant
Acetic acid (20%)	limited resistance	Hydrogen peroxide (30%)	unsatisfactory
Acetic acid (50%)	unsatisfactory	Hydrogen sulphide	unsatisfactory
Acetone	resistant	Insecticides*	resistant
Air (all pressures)	resistant	Isoctane	resistant
Alcohol (all types)	resistant	Jet Fuel / kerosene	resistant
Ammonia (10%)	unsatisfactory	Lubricating oil	resistant
Aniline	limited resistance	Methyl chloride	limited resistance
Benzene	resistant	Methylene chloride	limited resistance
Bleaching fluid (10% chlorine)	unsatisfactory	Methyl ethyl ketone	limited resistance
Brake fluid	resistant	Mineral oil	resistant
Butane	resistant	Motor oil	resistant
Calcium chloride (10%)	resistant	Nitric acid (10%)	unsatisfactory
Carbon dioxide	resistant	Nitrous acid	unsatisfactory
Carbon monoxide	resistant	Nitrous oxide (dry)	unsatisfactory
Chloroacetic acid (10%)	unsatisfactory	Oils (food)	resistant
Chlorine gas	unsatisfactory	Oils (mineral)	resistant
Chlorinated water < 0,5 ppm	resistant	Oleic acid	resistant
Chloroform	limited resistance	Palmitic acid	resistant
Chromic acid (10%)	unsatisfactory	Paraffins	resistant
Citric acid	resistant	Perchloric acid (10%)	unsatisfactory
Cyclohexane	resistant	Phosphoric acid (30%)	unsatisfactory
Detergents	resistant	Phthalic acid	resistant
Diesel fuel	resistant	Potassium hydroxide (10%)	unsatisfactory
Ethanol	resistant	Propane (liquified gas)	resistant
Ethyl acetate	resistant	Sodium chloride (10%)	resistant
Ethyl ether	resistant	Sodium hydroxide (10%)	unsatisfactory
Ethylene glycol	resistant	Sodium hypochlorite (5%)	unsatisfactory
Formaldehyde (37%)	resistant	Sulfur dioxide	unsatisfactory
Formic acid	unsatisfactory	Sulphuric acid (30%)	unsatisfactory
Fuel oil	resistant	Tetrahydrofuran	resistant
Fruit juice	resistant	Toluene	resistant
Gasoline	resistant	Trichloroacetic acid	unsatisfactory
Glucose (sat. sol.)	resistant	Trichloroethane (1,1,1-)	resistant
Heptane	resistant	Turpentine / white spirit	resistant
Hexane	resistant	Urea (5%)	resistant
Hydrochloric acid (10%)	unsatisfactory	Vinegar	resistant
Hydrofluoric acid (10%)	unsatisfactory		

**Legal Disclaimer**

Rue de la Royenne 84, B-7700 Mouscron, Tel +32 (0) 56 33 68 40, Fax + 32 (0) 56 33 78 10

Copyright © 2009 Castel Engineering NV – All rights reserved.

The data in this document correspond to the results noticed in lab conditions without safety factor.

Compliance with local regulations, safety factors, wall structures and adequate choice of models are totally beyond our control. It's the sole responsibility of the installer to use appropriate material according to the professional know-how, in respect with all regulations in application at the location of installation

Those who in any way utilize the product(s) are solely responsible for determining (a) the suitability of the product for the intended use, (b) the appropriate manner of processing and maintaining the product to ensure safety and quality and (c) chemical, physical and health effects related to those activities, (d) to inform themselves in order to be able to decide if specific data are necessary for their intended use in respect to norms and regulations in application at the location of their intended use. "Performance data given in this document is provided as a guide for the user to determining suitability. Dimensions and weights are nominal and are not used for manufacturing, even when tolerances are shown. Please read and understand this document before purchasing the product. Please contact your Castel Engineering representative if you have any questions or comments."

Unless specifically mentioned in the document, all data, whenever a notion of safety factor or safety parameter to be taken into account may implied or requested, is expressed without.

Customers, installers and third parties are solely responsible for damages or failures in performance resulting from misuse, abuse, neglect or improper handling, transporting or storage.

Castel Engineering S.A and its Affiliates disclaim any and all responsibility and liability for the use of any such data, information and/or the relevant product.